



Modular Cooking Range Line thermaline 90 - Passthrough Electric Static Oven Base, 1 Side - H=550

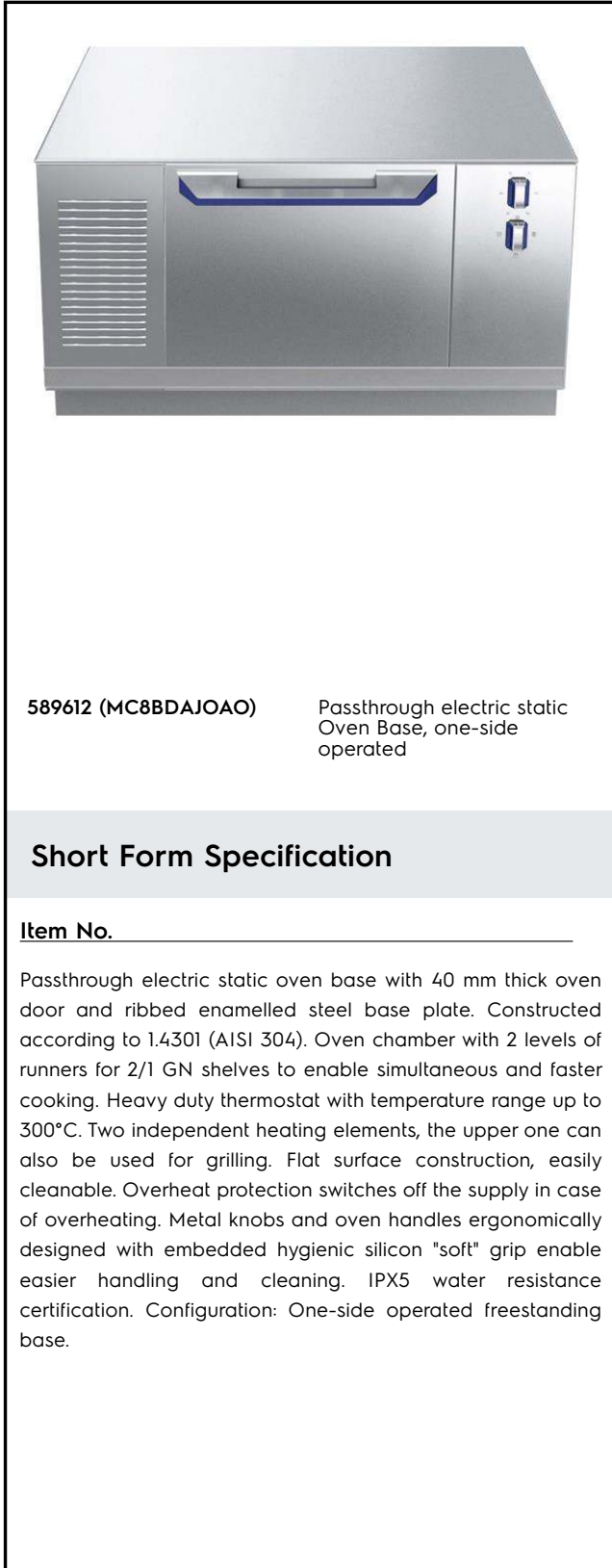
ITEM # _____

MODEL # _____

NAME # _____

SIS # _____

AIA # _____



589612 (MC8BDAJOAO) Passthrough electric static
Oven Base, one-side
operated

Short Form Specification

Item No. _____

Passthrough electric static oven base with 40 mm thick oven door and ribbed enamelled steel base plate. Constructed according to 1.4301 (AISI 304). Oven chamber with 2 levels of runners for 2/1 GN shelves to enable simultaneous and faster cooking. Heavy duty thermostat with temperature range up to 300°C. Two independent heating elements, the upper one can also be used for grilling. Flat surface construction, easily cleanable. Overheat protection switches off the supply in case of overheating. Metal knobs and oven handles ergonomically designed with embedded hygienic silicon "soft" grip enable easier handling and cleaning. IPX5 water resistance certification. Configuration: One-side operated freestanding base.

Main Features

- Overheat protection: the temperature sensor switches off the supply in case of overheating.
- 40 mm thick oven door for heat insulation.
- All major components may be easily accessed from the front.
- Metal knobs with embedded hygienic "soft-touch" grip for easier handling and cleaning. The special design of the controls prevents infiltration of liquids or soil into vital components.
- Handles are ergonomically designed with silicon "soft" grip for easy handling and cleaning.
- Oven chamber to have 2 levels of runners to accommodate 2/1 GN trays and ribbed enamelled steel base plate.
- The upper heating element of the oven can also be used for grilling.
- Unit constructed according to DIN 18860_2 with 70 mm recessed plinth.
- Oven temperature up to 300 °C
- The oven has two independent heaters, controlled by two separate knobs: one for top heat and one for bottom heat.

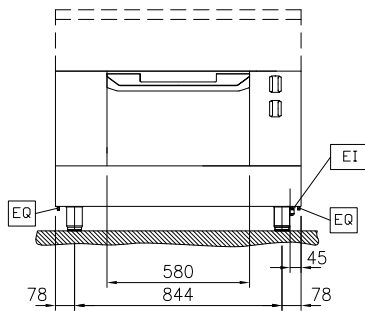
Construction

- Flat surface construction with minimal hidden areas to easily clean all surfaces
- IPX5 water resistance certification.

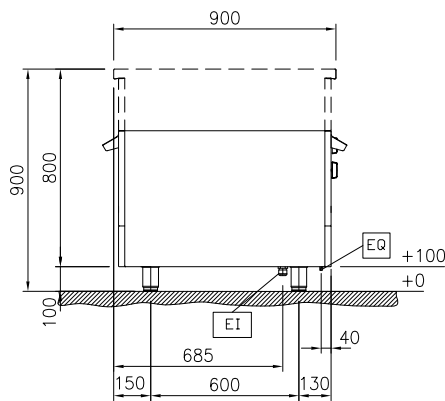
APPROVAL: _____



Front

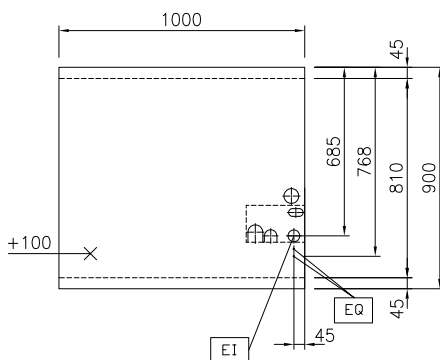


Side



EI = Electrical inlet (power)
 EQ = Equipotential screw

Top



Electric

Supply voltage: 400 V/3N ph/50/60 Hz
 Total Watts: 5 kW

Key Information:

Oven working Temperature: 60 °C MIN; 300 °C MAX
 Oven Cavity Dimensions (width): 575 mm
 Oven Cavity Dimensions (height): 300 mm
 Oven Cavity Dimensions (depth): 700 mm
 External dimensions, Width: 1000 mm
 External dimensions, Depth: 900 mm
 External dimensions, Height: 550 mm
 Net weight: 107 kg
 Configuration: One-Side Operated
 Oven GN: GN 2/1

Sustainability

Current consumption: 10.8 Amps

Included Accessories

- 1 of Grid, chromium plated, for ovens 2/1 GN PNC 910652

Optional Accessories

- Baking sheet 2/1 GN for ovens PNC 910651
- Fire clay plate 2/1 GN for ovens PNC 910656
- Stainless steel side panel, 900x800mm, freestanding PNC 912511
- Stainless steel front kicking strip, 1000mm width PNC 912600
- Stainless steel side kicking strips left and right, freestanding, 900mm width PNC 912621
- Stainless steel side kicking strips left and right, against the wall, 900mm width PNC 912624
- Stainless steel side kicking strips left and right, back-to-back, 1810mm width PNC 912627
- Stainless steel plinth, against wall, 1000mm width PNC 912903
- Stainless steel plinth, freestanding, 1000mm width PNC 912922
- Stainless steel panel, 900x800mm, against wall, left side PNC 913102
- Stainless steel panel, 900x800mm, against wall, right side PNC 913106
- Stainless steel side panel, left, H=800, flush PNC 913224
- Stainless steel side panel, left, H=800, flush PNC 913225
- Energy optimizer kit 14A - factory fitted PNC 913244
- Side reinforced panel only in combination with side shelf, for freestanding units PNC 913259
- Side reinforced panel only in combination with side shelf, for against the wall installations, left PNC 913268
- Side reinforced panel only in combination with side shelf, for against the wall installations, right PNC 913270
- Side reinforced panel only in combination with side shelf, for back-to-back installations, left PNC 913277
- Side reinforced panel only in combination with side shelf, for back-to-back installation, right PNC 913278
- Stainless steel dividing panel, 900x800mm, (it should only be used between Electrolux Professional thermaline Modular 90 and thermaline C90) PNC 913673
- Electric mains switch 25A 4mm² NM for modular H800 electric units (factory fitted) PNC 913676

- Stainless steel side panel, 900x800mm, flush-fitting (it should only be used against the wall, against a niche and in between Electrolux Professional thermaline and ProThermetic appliances and external appliances - provided that these have at least the same dimensions) PNC 913689